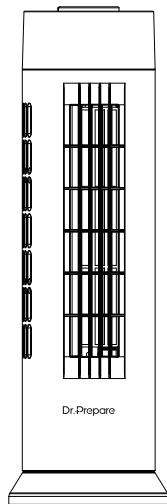




16-INCH TOWER FAN

DCCF11



This user manual offers a brief walkthrough of the unit's features.
Please keep the user manual in hand for future reference.

Still need help? Feel free to send us an email
at support@drprepare.com

▶▶ User Guide

CONTENTS

Don'ts When Using The Fan	02
Safety Precautions	02
Product Overview	04
Specifications	04
Designed-for-You Features	04
Identifying Parts	05
Control Panel	05
Use Method	06
Cleaning And Maintenance	07
How to Detach the Inner Impeller Wheel	07
How to Assemble the Fan	08
Warranty	09
Customer Support	09

DON'TS WHEN USING THE FAN

Please read this manual carefully before first use.

- It is forbidden to rinse the fan body directly with water.
- Do not turn off the fan by unplugging the power plug directly.
- Do not insert your fingers or other objects into the fan's front/rear guard.
- Do not put hair, fabric, etc. near the fan to avoid being drawn in and causing danger.
- Do not spray cleaning liquid or pesticides on the fan to avoid damaging the casing surface.
- Not intended for persons (including children) who are physically or mentally disabled or lack relevant experience/skills, unless instructed by the person responsible for the product's safety.
- When it is not in use, turn off the power and unplug the fan.

SAFETY PRECAUTIONS

Notice: The Company reserves the right to interpret the instructions. The appearance of the actual product shall prevail.

1. Transportation

- When moving, be sure to shut off the fan and unplug the power plug.

2. Power Cord

- Do not pinch, bend or twist the AC power cord excessively, otherwise the cord could be exposed or broken.
- If the power cord is damaged, it must be replaced by professionals from the manufacturer, its maintenance department, or a similar department to avoid hidden risks.

3. Usage

- Please refer to the voltage and frequency ratings on the specification label before use, and ensure the supplied voltage is appropriate.
- In the case of abnormal sound, peculiar smell, high temperature, irregular rotation of the fan, or other abnormalities, please stop using the product immediately.

4. Warning (improper use may cause electric shock, fire, injury, and other damages)

- Do not use this product on unstable platforms where it may topple easily.
- Do not use this product in hot and humid environments (like bathrooms), and harsh environments.
- It is forbidden to store flammable or explosive materials around the fan body.

PRODUCT OVERVIEW

Package Includes

- 1 × Tower Fan
- 1 × User Manual

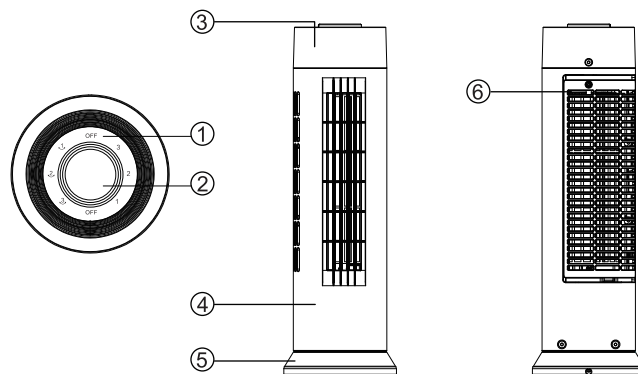
SPECIFICATIONS

Model No.	DCCF11
Rated Voltage	US: AC 120V 60 Hz
	UK&EU: AC 220-240V, 50/60 Hz
Rated Power	26W
Wind Speed (Max.)	22 ft/s (6.7 m/s)
Dimensions	5.1*5.1*16 in (13*13*40.5 cm)
Weight	3.3 lb (1.5 kg)

DESIGNED-FOR-YOU FEATURES

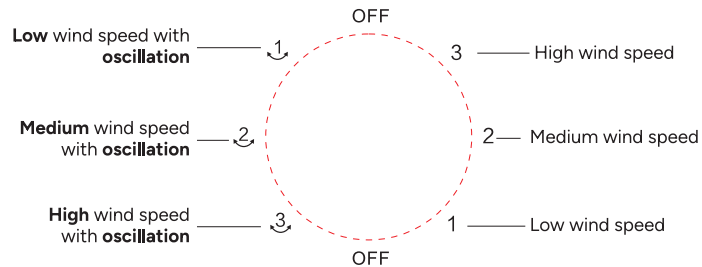
- 3 Speed Options
- 3 Speed Options with Oscillation
- Ultra-Quiet Cooling
- 80° Auto-Oscillation
- Convenient Control Knob Design
- 26W - Super Low Power Consumption
- Detachable Construction for Easy Cleaning

IDENTIFYING PARTS



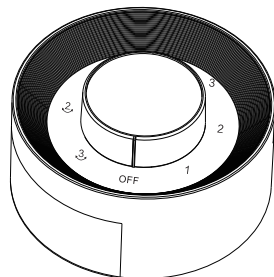
- ① Control Panel
- ② Control Knob
- ③ Upper Cover
- ④ Front Guard
- ⑤ Base
- ⑥ Rear Guard

CONTROL PANEL



USE METHOD

1. Before plugging in, make sure the control knob is in the "OFF" position.
2. Plug in the power supply, then **locate the raised vertical line mark on the arc surface of the knob**. Rotate the knob to your desired power mode, with or without oscillation.



⚠ Attention

- The left half of the control panel features 80° left-to-right auto-oscillation, while the right half does not oscillate.
- The control knob can rotate 360 degrees **clockwise or counterclockwise**.

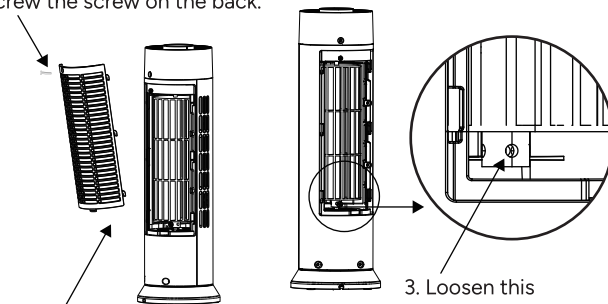
CLEANING AND MAINTENANCE

How to Detach the Inner Impeller Wheel

⚠ Attention

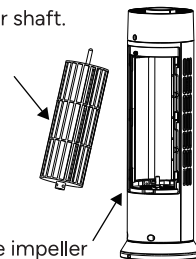
- Before cleaning, ensure the fan is unplugged and has cooled down.
- Clean the fan with a neutral detergent and a moist soft cloth. After cleaning, wipe off any remaining water stains.
- Do not dismantle the product for modification. It is recommended to periodically inspect and clean this product to extend its lifespan.

1. Unscrew the screw on the back.

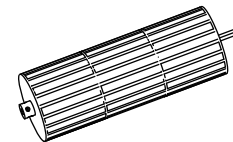


2. Push the rear guard upward, then take it out.

4. Push the impeller wheel upward, until it is detached from the motor shaft.



5. Take out the impeller wheel slantwise.

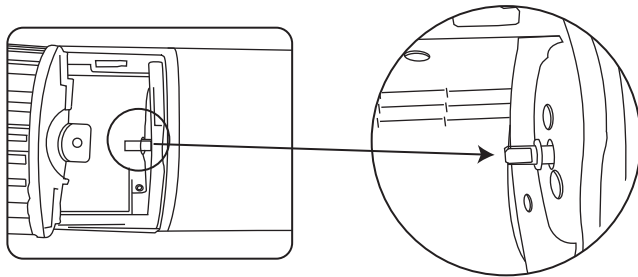


6. Clean the impeller wheel with a soft brush or towel, or rinse it with water.

⚠ Only the rear guard and the impeller wheel (that has been taken out) can be rinsed with water directly. Wipe the front cover and the fan's inner construction with a moist soft cloth.

- After cleaning, dry the rear guard and impeller wheel with a soft cloth, or let them dry in well-ventilated places.
- For long-term storage, please clean the fan and wrap it up, to avoid buildup mold / bacteria.

How to Assemble the Fan



- 1) Put the impeller wheel in place, aligning the lower hole with the flat side of the shaft, then fix it with a screw.
- 2) Install the rear guard back. After finishing the assembly, plug it into the socket to see if the fan works normally.

WARRANTY

- Dr. Prepare products are covered by a 12-month limited warranty from the original purchase date. If any problems occur, please contact our support team.
- We only provide after-sales services for products that are sold by Dr. Prepare or retailers and distributors authorized by Dr. Prepare. If you have purchased your unit from other channels, please contact your seller for more information about return and warranty.

CUSTOMER SUPPORT

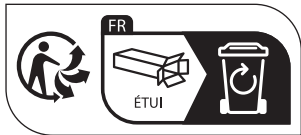
- If you have any questions or concerns, please send us an email at support@drprepare.com

Manufacturer / Importer: Dr Prepare Global Limited

Address: HK, 999077, HONGKONG, CANTON RD TST KLN, RM 803 LIPPO SUN PLAZA 28

Email: support@drprepare.com

Official website: drprepare.com



Name: Sea&Mew Accounting Ltd
Address: Electric Avenue Vision 25, London, Enfield EN3 7GD



Contact Person: Billy Han
Tel: +44 7399648608
E-mail: info@seamew.net

Name: Sea&Mew Consulting GmbH
Address: Mittenhuber Straße 4, 92318 Neumarkt



Contact Person: Yuan Li
Tel: +49 15224685061
E-mail: Compliance.EU@outlook.com

