



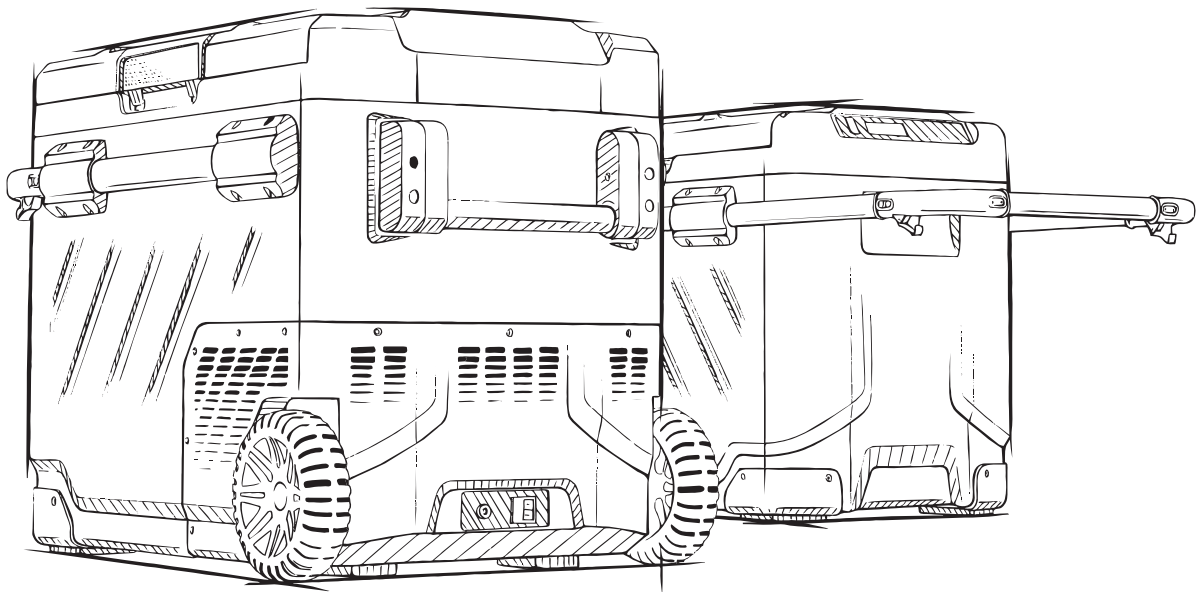
Find Your Energy Freedom™

Portable Refrigerator

Dual-Zone Cooling | 53 QT/50 L Capacity | Powered by LG Compressor

DCCR50L

VERSION A0



USER MANUAL

Table of Contents

Important Safety Information	02
Symbols Used	02
General Safety Information	02
Introduction	05
Key Features	05
Product Overview	06
Package Contents	06
How to Reverse the Door Opening Direction	07
Function and Operation	08
Remote Control App Download and Connect	10
Download the App	10
How to Connect and Pair	10
Main Interface	11
Care and Maintenance	12
Cleaning	12
Storage	12
Defrosting	12
Specifications and Troubleshooting	13
Technical Specifications	13
Troubleshooting	13
Warranty	15
Warranty Information	15
Warranty Exclusions	15
Technical Support	15
Recommended Portable/Back-up Battery	16

Important Safety Information

Symbols Used

General Safety Information

The User Manual provides important installation, operation, and maintenance instructions for this Portable Refrigerator. Please read the User Manual carefully before installation and operation and save it for future reference. Failure to observe the instructions or precautions in the User Manual can result in electrical shock, serious injury, or death, or can damage the refrigerator, potentially rendering it inoperable.

Symbols Used

The following symbols are used throughout the User Manual to highlight important information:

WARNING Indicates a potentially dangerous condition which could result in injury.

CAUTION Indicates a critical procedure for safe and proper installation and operation.

NOTE Indicates an important step or tip for optimal performance.

General Safety Information

WARNING

- Do not operate the appliance if it is visibly damaged.
- Do not block the gaps in the appliance with things like pins, wires, etc.
- Do not expose the appliance to rain or soak it in water.
- Do not place the appliance near naked flames or other heat sources, like heaters, direct sunlight, gas ovens, etc.
- Do not store any explosive substances like spray cans with a flammable propellant.
- Ensure the supply cord is dry and not trapped or damaged. Do not locate multiple portable socket outlets or portable power supplies at the rear of the appliance.
- Check that the voltage specification on the type plate corresponds to that of the energy supply. The appliance can only be used with the power supply unit provided with the appliance.
- Do not use electrical appliances inside the food storage compartments of the appliance, unless they are of the type recommended by the manufacturer.
- Once unpacked and before turning on, the appliance must be placed on a level surface for at least 24 hours.

Important Safety Information

Symbols Used

General Safety Information

- Make sure that the appliance stays horizontal when it is running. The tilt angle must be less than 5 degrees for long time running and less than 45 degrees for short time running.
- Keep the ventilation openings in the unit casing or in the built-in structure free of obstacles.
- Keep the appliance stable on the ground or in the car.
- Do not drain it upside down.

CAUTION

- Repairs may only be carried out by qualified personnel. Incorrect repairs may cause danger. The lamp and supply cord must be replaced by either the manufacturer or qualified persons.
- The installation of DC power for the boat must be handled by qualified electricians.
- Children shall not play with the appliance. Cleaning and user maintenance shall not be made by children without supervision.
- The appliance can be used by children aged 8 years old and above and persons with reduced physical, sensory, or mental capabilities or lack of experience and knowledge who have been given supervision or instruction concerning the use of the device in a safe manner and are aware of the hazards.

NOTE

- Disconnect the power supply before each cleaning and maintenance and after every use.
- Do not use sharp tools to defrost. Do not damage refrigerant circuits.
- Risk of child entrapment. Before you throw away your old refrigerator or freezer: take off the doors, and leave the shelves in place so that children may not easily climb inside.
- Check if the cooling capacity of the appliance is suitable for storing food or medicine. Food may only be stored in its original packaging or in suitable containers.
- If the appliance is left empty for long periods, switch it off, defrost, clean, dry, and leave the door open to prevent mould from developing within the appliance.
- The appliance is intended to be used in households and similar applications such as:
 - Staff kitchen areas in shops, offices, and other work environments;
 - Camping, farm houses, and use by clients in hotels, motels, and other residential environments;
 - Bed and breakfast type environments;
 - Catering and similar non-retail applications.

Important Safety Information

Symbols Used

General Safety Information

Information, illustrations, and specifications in this manual reflect the most current available at the time of publication, and are subject to change without prior notice.



Please comply with local regulations regarding disposal of the appliance for its flammable refrigerant and blowing gas.

Introduction

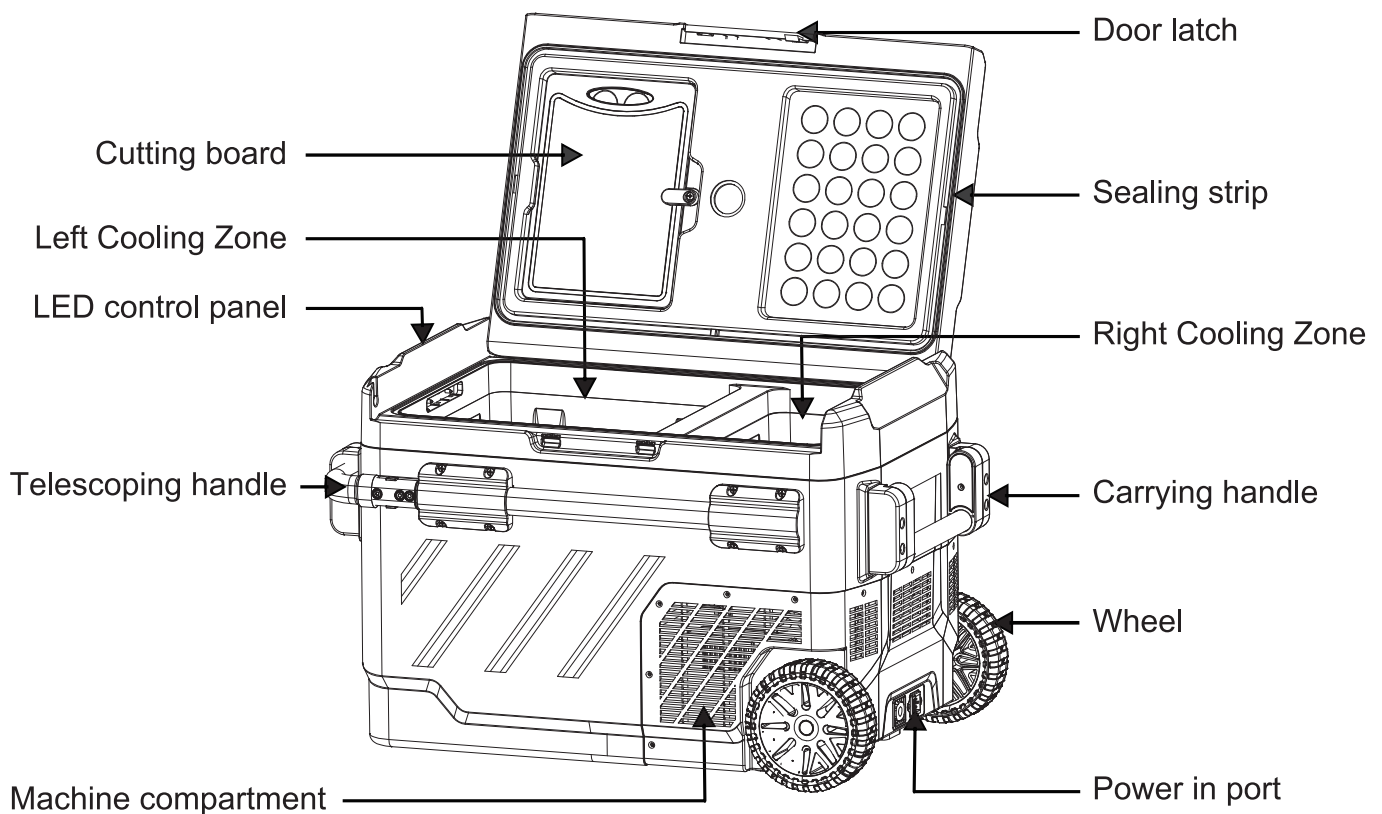
Key Features

Product Overview

Key Features

- Powered by a high-efficiency LG compressor.
- CFC-free, excellent heat insulation.
- Dual-zone cooling with individual temperature control systems.
- An intelligent battery protection system prevents your vehicle from running out of battery.
- App remote control.
- LED display control panel for temperature settings.
- A 5V/1A USB charging output port.
- User-friendly design: Detachable opening door, cup holders, interior LED light, cutting board, interior drain port.

Product Overview



Introduction

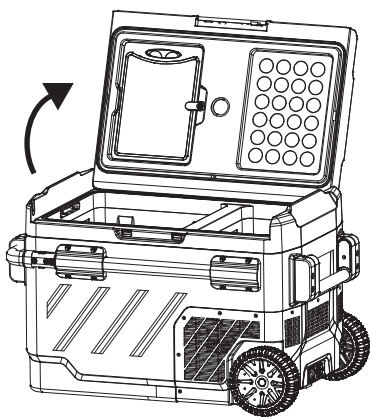
Package Contents

How to Reverse the Door Opening Direction

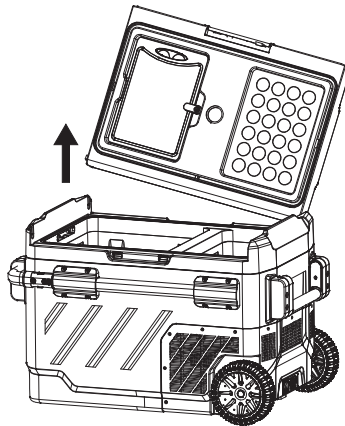
Package Contents

- 1 x Portable Refrigerator
- 1 x 12V/24V DC Power Cord
- 1 x 100V-240V AC Power Cord
- 1 x Removable Basket
- 1 x Cutting Board
- 1 x User Manual

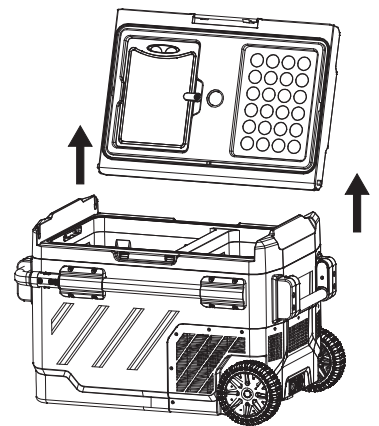
How to Reverse the Door Opening Direction



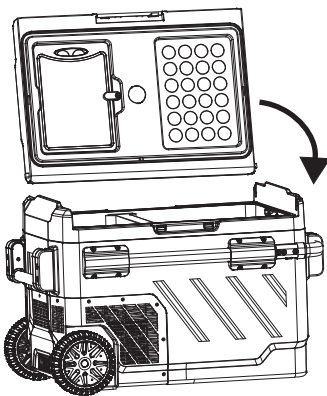
- ① Open the door at a 90-degree angle.



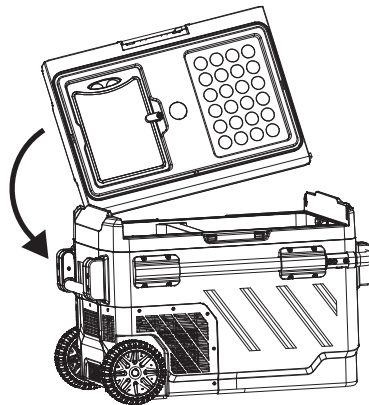
- ② Take off the door from one side.



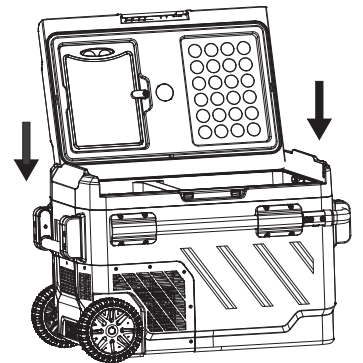
- ③ Take off the door from the other side.



- ④ Reverse the direction of the door opening.



- ⑤ Align the door shaft with the hole on one side and insert it.

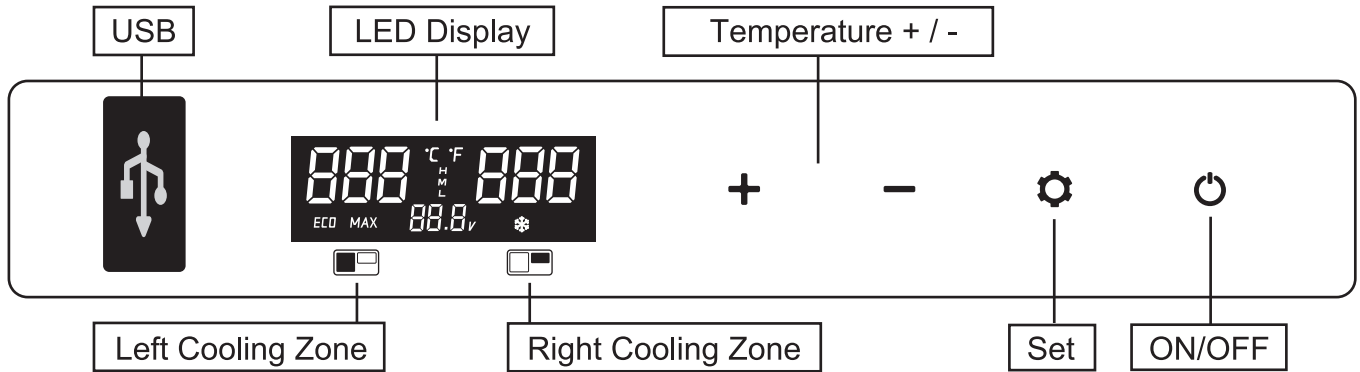


- ⑥ Close the door after the installation is finished.

Introduction

Function and Operation

Function and Operation




NOTE:

1. The Right Cooling Zone is on the side where the compressor is located (the smaller side).
2. When selecting a function, if the panel is not operated, it will be automatically confirmed after 3 seconds.

Power Supply

Connect to the DC 12V/24V or AC 100-240V power supply using the included adapters.





Power ON/OFF

1. Press the  button to turn it on. Press and hold this button for 1 second to turn it off.
2. It's recommended to turn the machine off first, then unplug the socket. If you directly unplug the power to turn off the machine, it will automatically turn on once you plug in the socket again due to the memory function.


Display Screen Initialization

After turning on the appliance, the buzzer will make a long beep sound, the display will light up for two seconds, and then the appliance enters standby mode.

Power ON/OFF the Left and Right Cooling Zones



1. In the running state, press and hold the  and  buttons simultaneously for 3 seconds to switch the Left cooling zone.
2. Press and hold the  and  buttons simultaneously for 3 seconds to switch ON/OFF the Right cooling zone.
3. The default factory mode is that dual cooling zones enter running state simultaneously when it is powered on.
4. Two cooling zones cannot be switched OFF at the same time.

Temperature +/- Settings


1. Temperature setting range: -4~68 °F (-20~20°C)
2. Adjust temperature for the Left cooling zone: When both the Left and Right cooling zones are in a running state, press **+** to turn up and **-** to turn down the temperature.
3. Adjust temperature for the Right cooling zone: Press **+** or **-** button. Then press  to switch to R temperature control while the number is flashing. Finally press **+** and **-** to adjust the temperature number.
4. The setting will be saved after stopping the setup operation for 4 seconds.

NOTE: After setting it successfully, the temperature displayed is the current temperature of the cooling zone, and it will take time to reach the set temperature.



Temperature Unit Setting

1. Turn off the appliance.
2. Press and hold the  button, it will show the present unit, and then press the  button to switch between Celsius (°C) and Fahrenheit (°F).
3. The factory setting is Fahrenheit (°F).

Cooling Mode

1. In the running state, press  to switch between the MAX (Fast Cooling) and ECO (Energy Saving) modes.
2. The default factory setting is MAX (Fast Cooling) mode.

Battery Protection System

1. In the running state, press and hold  for 3 seconds until the LED screen flashes, then press  again to select the protection level between H (High), M (Medium), and L (Low).
2. The default factory setting is H (High).

Introduction

Function and Operation

3. Voltage reference:

Input \ Mode	DC 12V		DC 24V	
	Cut Out	Cut In	Cut Out	Cut In
L	8.5V	10.9V	20.3V	22.7V
M	10.1V	11.4V	21.3V	23.7V
H	11.1V	12.4V	23.3V	25.7V

Important Notice:

1. The voltage is a theoretical value, and may vary due to different usage conditions.
2. H mode should be set when the appliance is connected to car power supply.
3. M or L mode should be set when the appliance is connected to a portable battery or other back-up battery.








Reset

1. Turn off the appliance.
2. Press and hold the **+** and **⚙️** buttons to enter C1 display.
3. Press and hold **+** and **-** for 3 seconds to reset the appliance.

USB Charging Output

The USB charging output port is 5V/1A.

Recommended Temperature for Common Food

						
Drinks	Fruits	Vegetable	Delicatessen	Wine	Ice cream	Meat
5°C/41°F	5~8°C/41~46°F	3~10°C/37~50°F	4°C/39°F	10°C/50°F	-10°C/14°F	-18°C/0°F

Remote Control App Download and Connect

Download the App

How to Connect and Pair

Download the App

Scan the QR code below or search for "Car Fridge Freezer" to download the app.




iOS



Android

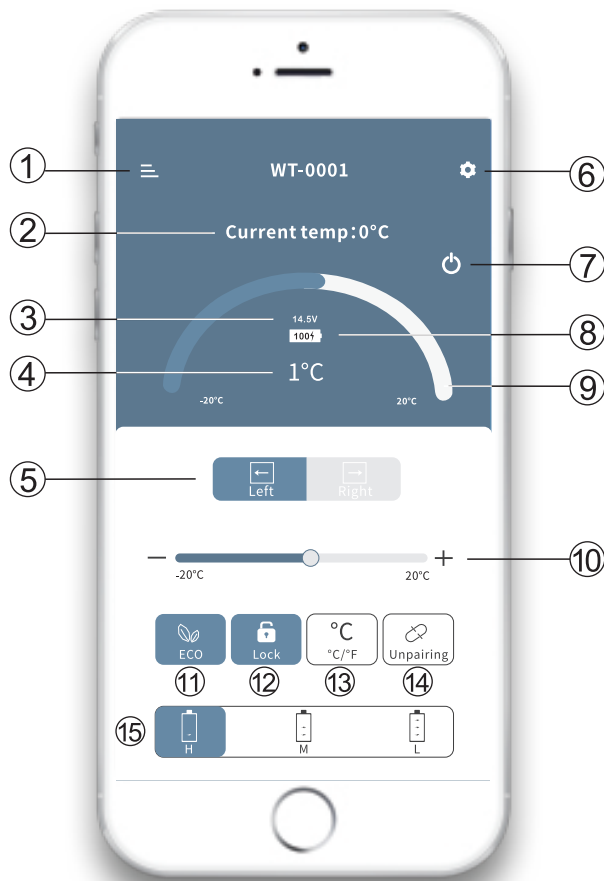
How to Connect and Pair

1. Turn on Bluetooth on your smart device.
2. Open the app and tap "Start scanning fridge" to find the nearby refrigerator. The Bluetooth connection distance should be within 33 ft/10 m.
3. Tap the refrigerator icon for Bluetooth pairing. Then the app will pop up an interface to remind you to pair the refrigerator by pressing the  button on the appliance's control panel when pairing with the refrigerator for the first time.
4. After pairing successfully, the app will automatically switch to the main interface and allow you to control the refrigerator.

Remote Control App Download and Connect

Main Interface

Main Interface



- ① Menu
- ② Current Temperature
- ③ Current Voltage
- ④ Target Temperature
- ⑤ Switch Left/Right Cooling Zone
- ⑥ Set
- ⑦ Power ON/OFF
- ⑧ Current Battery
- ⑨ ⑩ Temperature Control
- ⑪ ECO (Energy Saving Mode) / MAX (Fast Cooling Mode)
- ⑫ Lock* / Unlock*
- ⑬ Celsius / Fahrenheit
- ⑭ Unpair the device and return to search
- ⑮ Battery Protection System: High / Medium / Low

*Tap the Lock icon on the app to lock or unlock the control panel on the refrigerator. If it is locked, the refrigerator can only be controlled from the app end.

Care and Maintenance

Cleaning

Storage

Defrosting

Cleaning

1. Turn off and unplug the appliance first to avoid the electric shock.
2. Remove the drain plug and drain out through the hole at the bottom of the device.
3. Use a wet cloth to clean the appliance and then dry it.
4. Do not soak the appliance in water and do not wash it directly under flowing water.
5. Do not use abrasive cleaning agents during cleaning as these may damage the appliance.

Storage

If the appliance will not be in use for a period of time:

1. Turn off and unplug the appliance.
2. Take out all the items stored in the appliance.
3. Wipe off the excess water with a soft rag.
4. Put the appliance in a cool and dry place.
5. Leave the top lid slightly open to prevent odors from forming.
6. Recommended storage environment: Ambient temperature: 77°F/25°C, humidity ≤75%.

Defrosting

Humidity can form frost in the interior of the cooling device or on the evaporator. This will reduce the cooling capability. Defrost the device in a timely manner.

1. Turn off and unplug the appliance first to avoid the electric shock.
2. Take out all the items stored in the appliance.
3. Keep the top lid open.
4. Wipe off the defrosted water.



Never use hard or pointed tools to remove ice or to loosen objects that have frozen in place.

Specifications and Troubleshooting

Technical Specifications

Troubleshooting

Technical Specifications

Model	ZG51
Rated Voltage	DC 12V/24V, or AC 120V (Using the included adapters)
Rated Power	60W
Capacity	50 L/1.76 cu. ft.
Noise Level	≤45 dB
Temperature Setting Range	-4~68 °F/-20~20 °C
Climate Class	T/ST/N/SN
Dimensions	27 x 18 x 20 in/692 x 453 x 515 mm (L x W x H)
Net Weight	39 lbs/17.5 kg

Troubleshooting

Issues	Possible Causes & Solutions
Will there be a freeze function when the power is off?	According to lab testing data, at 77 °F/25 °C, it takes around 1 hour to heat up from -4 °F/-20 °C to 32 °F/0 °C, around 1.8 hours from -4 °F/-20 °C to 50 °F/10 °C, and around 3 hours from -4 °F/-20 °C to 68 °F/20 °C.
Refrigerator does not work.	<ol style="list-style-type: none"> 1. Check that the power is on. 2. Check that the plug and socket are securely connected. 3. Check if the fuse has been burnt. The fuse is located near the input socket. 4. Check if the power source is malfunctioning. 5. Frequent switching ON and OFF may cause delays in compressor start-up.
Refrigerator compartments are too warm.	<ol style="list-style-type: none"> 1. The top door is frequently opened. 2. A large amount of warm or hot food has been stored recently. It's highly recommended not to store hot food in it. 3. The refrigerator has been disconnected for a long period of time.
Food is frozen	The temperature was set too low.

Specifications and Troubleshooting

Issues	Possible Causes & Solutions
There is a "water flow" noise coming from inside the refrigerator.	It's a normal phenomenon, caused by the flow of refrigerant.
There are waterdrops around the refrigerator casing or door gap.	It's a normal phenomenon. The moisture will condense water when it touches the cold surface of the refrigerator.
The compressor is slightly noisy when starting.	It's a normal phenomenon. The noise will be reduced after the compressor is stabilized.
Code E1 displayed	<p>Possible cause: Low voltage</p> <ol style="list-style-type: none"> 1. Change the power supply. 2. Or adjust the battery protection system from High to Medium, or from Medium to Low. The default factory setting is HIGH.
Code E2 displayed	<p>Possible cause: Condenser fan overloading.</p> <ol style="list-style-type: none"> 1. Disconnect the power for 5 minutes and then restart. 2. If the problem is still unsolved, contact our customer support service.
Code E3 displayed	<p>Possible cause: The compressor starts too often.</p> <ol style="list-style-type: none"> 1. Disconnect the power for 5 minutes and then restart. 2. If the problem is still unsolved, contact our customer support service.
Code E4 displayed	<p>Possible cause: The compressor does not start.</p> <ol style="list-style-type: none"> 1. Disconnect the power for 5 minutes and then restart. 2. If the problem is still unsolved, contact our customer support service.
Code E5 displayed	<p>Possible cause: The compressor and electronics were overheating.</p> <ol style="list-style-type: none"> 1. Disconnect the power for 20 minutes and then restart. 2. If the problem is still unsolved, contact our customer support service.
Code E6 displayed	<p>Possible cause: No parameter is detected by the main controller.</p> <ol style="list-style-type: none"> 1. Disconnect the power for 20 minutes and then restart. 2. If the problem is still unsolved, contact our customer support service.
Code E7 or E8 displayed	<p>Possible cause: The temperature sensor is faulty.</p> <p>Contact our customer support service.</p>

Warranty Information

If the appliance malfunctioned, a limited warranty will be provided:

Portable Refrigerator: 1 year

Compressor: 3 years

the date of purchase, and you will be required to provide us with a shot image of the product nameplate and series number.

Warranty Exclusions

The warranty will not apply if the damage is caused by any of the following:

- Contrived damage.
- Damage caused by force majeure such as earthquakes, conflagrations, etc.
- Damage from inappropriate use or violation of this instruction.
- Damage or malfunction caused by disassembling.

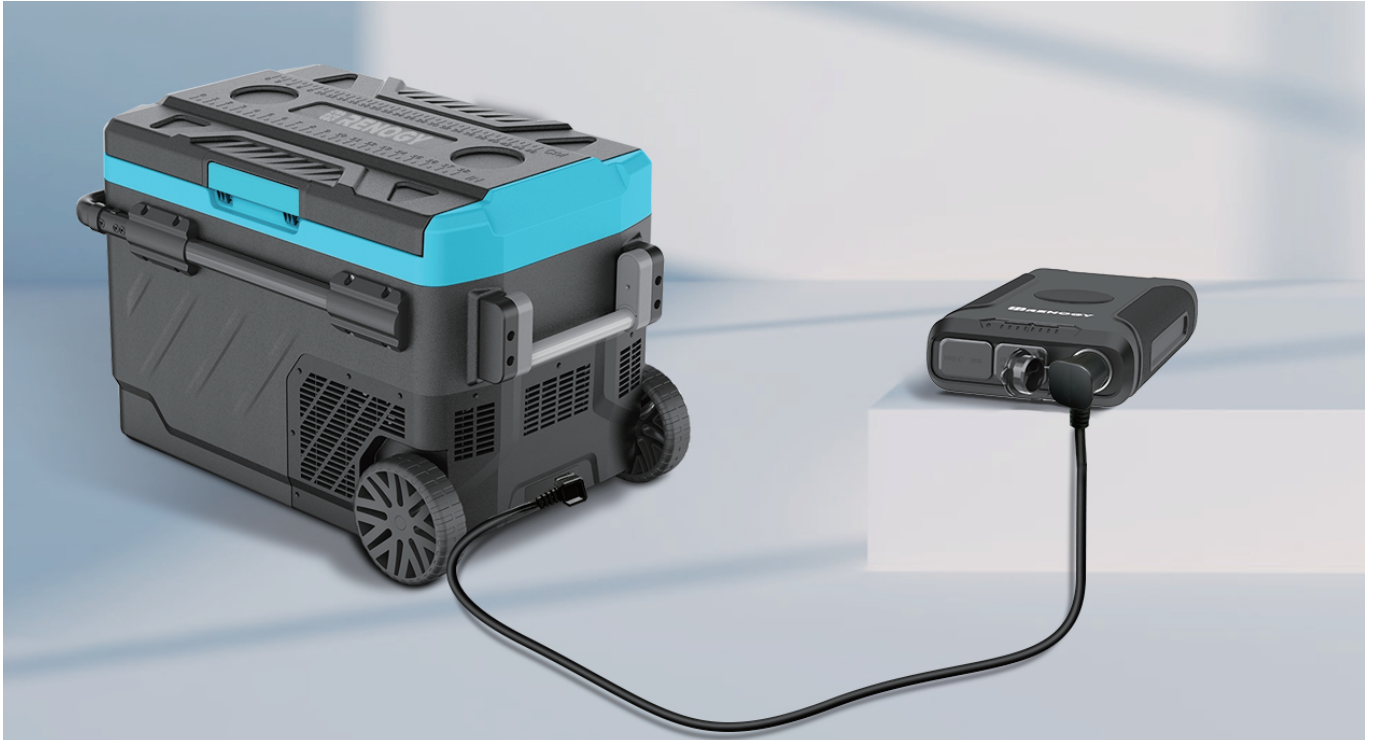
Technical Support

For additional support, contact the Renogy technical support team through **renogy.com/contact-us**. Have the following information available when contacting Renogy:

- Owner name
- Contact information
- Order number
- Purchase channel
- Serial number
- Brief description of the issue

Recommended Portable/Back-up Battery

For a better usage experience outdoors where there's no electricity, we recommend our **Renogy 72000mAh power bank** to power this portable refrigerator.



Battery Life for Powering Your Refrigerator	
Lab Testing Conditions (At 68 °F/20 °C)	Use Time
Dual zones: 32 °F/0 °C	16 H
One zone: 32 °F/0 °C, the other: -4 °F/-20 °C	10 H
One zone: -14 °F/-10 °C, the other: -14 °F/-10 °C	10 H
One zone: -4 °F/-20 °C, the other: -4 °F/-20 °C	8 H

Note:

1. Set the "L" level battery protection when using our 72,000 mAh backup battery, or the "H" level will greatly shorten the use time.
2. The use time is tested at 68 °F/20 °C temp condition. The actual use time may vary due to different usage conditions.

Renogy reserves the right to change the contents of this manual without prior notice.
Renogy | renogy.com | renogy.com/contact-us

