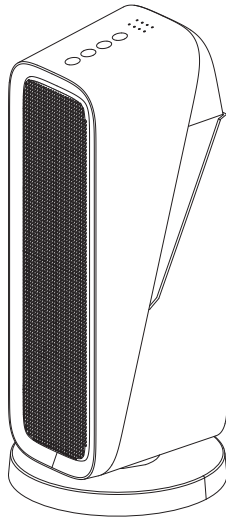




# 16" SPACE HEATER

DCH02WF



This user manual offers a brief walkthrough of the unit's features.  
Please keep the user manual in hand for future reference.

Still need help? Feel free to send us an email  
at [support@drprepare.com](mailto:support@drprepare.com)

## CONTENTS

Safety Warning .....	01
Precautions .....	01
Product Description .....	02
Control Panel .....	03
Specifications .....	03
Function Description .....	04
Rocker Switch .....	04
Power Button .....	04
Timer Button .....	04
Oscillation Button .....	04
Child Lock Button .....	05
Tip-over Protection .....	05
Power-off Protection .....	05
Overheating Protection .....	05
Automatic Shut-Down .....	05
Wi-Fi Operation .....	06
Add Device .....	06
Add Manually .....	06
Cleaning & Maintenance .....	08
Q&A Listing .....	09
Warranty .....	10
Customer Support .....	10

## SAFETY WARNING

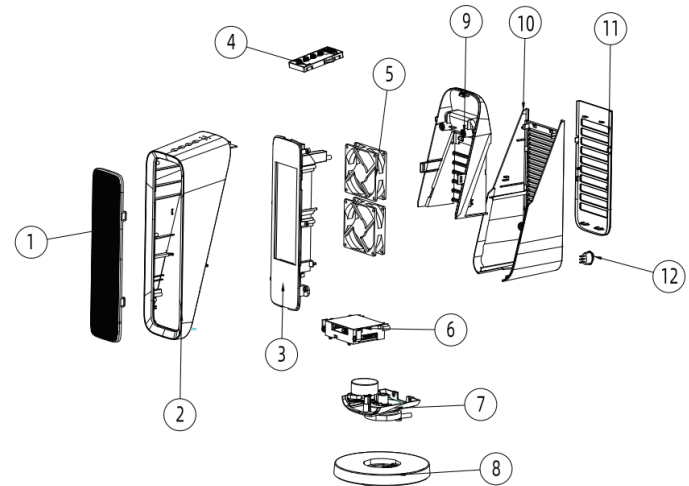
- Keep the heater away from water, other liquids, or flammable cleaners to avoid electric shock and fire.
- DO NOT spray any flammable materials such as pesticides or perfumes around the heater.

## PRECAUTIONS

- Before connecting the heater to a power supply, please check that the voltage marked on the heater's nameplate is consistent with the local power supply voltage and confirm that the current of the connecting plug is more than 13A. It is not recommended to use an extension plug.
- Please check the power cord and plug for any sign of breakage or damage before use. If the power cord is damaged, it must be replaced by a professional to avoid danger.
- It is forbidden to use this heater on an unstable or inclined surface. Place and use this product on a stable and flat surface to avoid accidents such as injury or fire outbreaks.
- Do not spray this heater with water to avoid short circuit and electric shock dangers.
- It is forbidden to operate this heater in high temperature, humid places or in places with volatile substances such as acid-base oil.
- Do not use this heater around bathtubs, water jets, or swimming pools.
- No flammable and explosive materials should be placed around the heater. It is also prohibited to cover the heater or avoid using it in places with severe dust to prevent accidents.
- Do not place the heater directly under an air conditioner to prevent condensation from dripping into the product.
- Do not insert fingers or objects into the air outlet or inlet to prevent physical damage or malfunction of the heater.

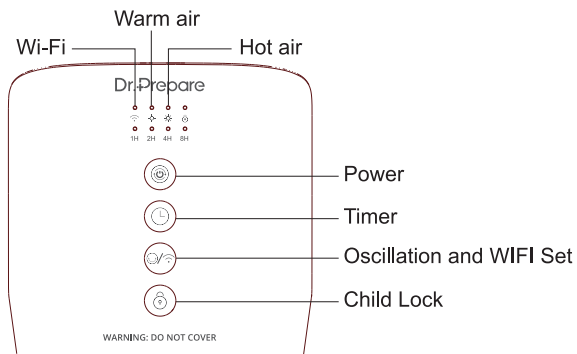
- The filter cover must be installed in place when the heater is working. The filter cover prevents direct contact with the heating element.
- To avoid burns, do not touch the air outlet protection net or cover the air outlet with your hands when using the heater.
- Be sure to unplug the heater after use and before cleaning or performing other maintenance.
- If you need to move the heater, please disconnect its power supply first. Also, please do not move the heater by pulling its power cord.
- Do not block the air inlet and outlet, and keep a space of more than 30cm from the wall or obstacles.
- This heater is not intended for use by persons (including children) who are physically or mentally disabled or lack relevant experience and skills unless instructed by the person responsible for the product's safety.

## PRODUCT DESCRIPTION



- ① Iron net
- ② Front shell
- ③ Heating module
- ④ Control panel module
- ⑤ Motor
- ⑥ Power module
- ⑦ Rotating module
- ⑧ Base module
- ⑨ Handle cover
- ⑩ Top cover
- ⑪ Filter
- ⑫ Rocker switch

## CONTROL PANEL



## SPECIFICATIONS

Model	H3
Product Size	7" (diameter) x 16" (height)
Product Weight	4.85 lb / 2.2kg
Rated Input Voltage	AC120V 60HZ
Power	1500W

## FUNCTION DESCRIPTION

### Ⓜ Rocker Switch

- When this is turned on for the first time, all LEDs will be on and go off after about 1 second; then, it will enter the standby state.

### Ⓜ Power Button

- In the standby state, each time the power button is pressed, the product will enter the following modes:
  - Natural wind state (no indicator light)
  - Warm air state (warm air indicator light is on)
  - Hot air state (hot air indicator light is on )
    - The buzzer will beep every time the power button is pressed
    - In the power-on state, press and hold this button for 3 seconds, and the machine will turn off and enter the standby state.
    - When turning off the heating mode, the machine will be turned off after a 1-minute delay, and all indicators will flash.

### Ⓜ Timer Button

- In the power-on state, press the button once to select the timer: 1H-2H-4H-8H (the corresponding indicator light is on). Press it again to cancel the timer (no indicator light is on).

**Note: If a mobile phone has been connected to the product via WiFi and needs to change the connection of another mobile phone, please long press the timer button for 5s to clear the connection status.**

### Ⓜ Oscillation Button

- In the power-on state, press this key to turn on the oscillation (80° left and right), and press it again to turn off. The machine will beep once you press the oscillation button.

- Press and hold the oscillation button for 5 seconds to turn on the Wi-Fi function, and the buzzer will beep once. When the Wi-Fi indicator light flashes twice per second (flashes fast), it is in the fast connection mode of the Wi-Fi connection. When the Wi-Fi indicator light flashes once every 2 seconds (flashes slowly), it is in the compatibility mode.

### Child Lock Button

- In the power-on state, press and hold this button for 3 seconds to enter the child lock state. The buzzer will beep once and other buttons will not work. To cancel the child lock, press and hold the key again for 3 seconds, and the buzzer will beep once. Disconnecting the power will automatically cancel the child lock.

### Tip-over Protection

- When the machine falls, it will automatically turn off all functions.

### Power-off Protection

- To ensure the life of the PTC heating element, when the warm air or hot air mode is turned on, long-press the switch to turn it off. The heating element will be powered off, the fan will be turned off after a one-minute delay, and all the indicators on the panel will flash for one minute and then enter the standby state.

**Note:** When powered on, only the natural wind is turned on and then turned off, and the fan does not delay.

### Overheating Protection

- In order to ensure safe use, the heater will automatically power off when the internal temperature reaches the set protection temperature.

### Automatic Shut-Down

- When the machine runs continuously for 24 hours, it will automatically shut down and enter the standby state.

## WI-FI OPERATION

- Scan the QR code below to download the Smart Life app. You can also search for Smart Life in the App Store or Google Play to install the app.



- Open the Smart Life app, click "Register", use your phone number or email to register a "Smart Life" account, and then log in to the app.

### Add Device:

- Connect the mobile phone to the 2.4GHz Wi-Fi network > Turn on Bluetooth > Open the "Smart Life" app > Turn on the machine > Long press the oscillation button for 5s > Wi-Fi indicator flashes > Click "+" to add a device.
- Automatic discovery: (when the corresponding permission is enabled, the machine can be automatically discovered) The device appears > Click to connect > Enter the 2.4GHz Wi-Fi account and password > Add equipment > Connect successfully.

### Add Manually:

#### 1. Bluetooth distribution network (recommended):

Wi-Fi indicator flashes quickly > Find the heater (Bluetooth) in the app > Click to confirm > Indicator flashes quickly > Search device > Device appears > Click to connect > Successfully add device

#### 2. Hotspot distribution network (compatibility mode):

Press and hold the oscillation button again for 5s > Wi-Fi indicator flashes slowly > Find the heater (WIFI) in the APP > Enter the 2.4GHz Wi-Fi account and password > Click to confirm > The indicator flashes quickly > Click next > Add a device > Connect successfully



**Note:** After long pressing the oscillation button for 5 seconds, if there is no connection operation within 120 seconds, it automatically disables; you will need to long-press it again for 5 seconds.

**For safe use, the product can only be controlled through the APP when the product is turned on.**

FCC NOTE: This device complies with Part 15 of the FCC Rules. Operation is subject to the following two conditions: (1) this device may not cause harmful interference, and (2) this device must accept any interference received, including interference that may cause undesired operation.

**Note:** This equipment has been tested and found to comply with the limits for a Class B digital device, pursuant to part 15 of the FCC Rules. These limits are designed to provide reasonable protection against harmful interference in a residential installation. This equipment generates, uses and can radiate radio frequency energy and, if not installed and used in accordance with the instructions, may cause harmful interference to radio communications. However, there is no guarantee that interference will not occur in a particular installation. If this equipment does cause harmful interference to radio or television reception, which can be determined by turning the equipment off and on, the user is encouraged to try to correct the interference by one or more of the following measures:

- Reorient or relocate the receiving antenna.
- Increase the separation between the equipment and receiver.
- Connect the equipment into an outlet on a circuit different from that to which the receiver is connected.
- Consult the dealer or an experienced radio/TV technician for help.

To maintain compliance with FCC's RF exposure guidelines, the distance must be at least 20cm between the radiator and your body, and fully supported by the operating and installation configurations of the transmitter and its antenna(s).

**Warning:** Changes or modifications to this unit not expressly approved by the party responsible for compliance could void the user's authority to operate the equipment.

## CLEANING & MAINTENANCE

- Before maintenance or cleaning, be sure to turn off the heater and unplug the power plug. Also, wait for the heater inside the heater to cool down before maintenance or cleaning.
- Do not immerse the heater in water or any liquid. Wipe the heater with neutral detergent and a soft cloth.
- Never use abrasive, corrosive, or flammable cleaners (such as bleach or alcohol) to clean any part of the heater.
- After the product is cleaned, please place it in a ventilated place to dry. Avoid using direct sunlight to dry or in storing it.

## Q&A LISTING

Question	Cause
What should I do if I cannot connect to the Wi-Fi?	<ul style="list-style-type: none"> <li>• Power off the back of the heater and power it on again.</li> <li>• Please confirm whether to open and select 2.4GHz WIFI and turn on Bluetooth.</li> <li>• Turn on the device and long press the oscillation button for 5s</li> <li>• Open the app and reconnect.</li> </ul>
Can an extension cord be used to connect this heater?	<ul style="list-style-type: none"> <li>• This heater is a high-power electrical appliance. It is not recommended to use an extension cord. It is safer to use a wall plug with the current more than 13A.</li> </ul>
Why can't it be turned on?	<ul style="list-style-type: none"> <li>• Check if the plug is inserted into the power outlet. Is there a power outage?</li> <li>• Is the leakage switch or fuse in the home cut off?</li> <li>• Is the main power switch on the back turned on?</li> <li>• Check whether the main body of the heater is in the proper position.</li> </ul>
Why does it suddenly stop when heating?	<ul style="list-style-type: none"> <li>• Is the socket in poor contact, and is the circuit supply normal?</li> <li>• Whether the product has been working continuously for 24 hours</li> <li>• Are there any foreign objects blocking the air inlet/outlet? Lack of space for the air outlet or inlet could cause the internal temperature to be too high and the temperature to exceed the protection value of the controller.</li> </ul>

Will the heater automatically connect to Wi-Fi and turn on automatically after the power is restored?	<ul style="list-style-type: none"> <li>• It will connect automatically but will not automatically power on for security reasons.</li> </ul>
Why is the heater still connected to the 2.4GHz Wi-Fi network and cannot be connected to 5G?	<ul style="list-style-type: none"> <li>• Because 2.4GHz is widely used, and 5G has poor wall penetration, which could cause the heater to fail to connect to Wi-Fi.</li> </ul>

**Note:** When the above faults cannot be eliminated and it is confirmed that maintenance is required, please do not attempt to disassemble the machine for maintenance without authorization.

## WARRANTY

- Dr. Prepare products are covered by a 12-month limited warranty from the original purchase date. If any problems occur, please contact our support team.
- We only provide after-sales services for products that are sold by Dr. Prepare or retailers and distributors authorized by Dr. Prepare. If you have purchased your unit from other channels, please contact your seller for more information about return and warranty.

## CUSTOMER SUPPORT

- If you have any questions or concerns, please send us an email at [support@drprepare.com](mailto:support@drprepare.com)