

PERSONAL EVAPORATIVE AIR COOLER

User Guide

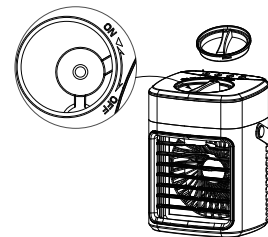


EN PERSONAL EVAPORATIVE AIR COOLER

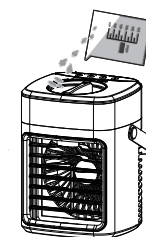
- GETTING STARTED 02
- SPECIFICATIONS 03
- IDENTIFYING PARTS 04
- OPERATION 05
- TROUBLESHOOTING 06
- IMPORTANT SAFETY INSTRUCTIONS 06
- WARRANTY 07
- CUSTOMER SUPPORT 07

GETTING STARTED

1. This personal evaporative cooler is designed for tight space like office desks, nightstands, etc. So it may not be a good fit if you wish it to cool down an entire room.
2. Before the first use, please read the user manual carefully and save the manual for reference in the future.
3. Rotate to open the cover. Add tap water or filtered water to the water tank and make sure water is below the fill line. Then, rotate again to seal the cover.



4. Follow the operation instructions as listed in the manual to use the cooler.
5. You can add iced water into the water tank for better cooling effects.



TIPS FOR CHARGING

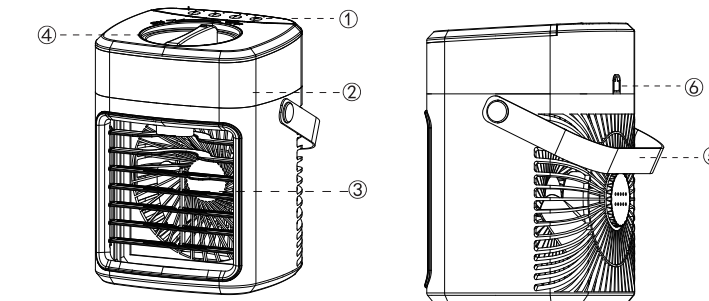
1. Fully charge the cooler before each use.
2. When the battery is low, the "Low Battery" indicator on the panel will flash to remind you to recharge the cooler.
3. To charge the cooler, plug the charging cord into the DC power port and a USB charger (DC 5V/2A, not included).
4. When the cooler is being charged, the charging indicator will stay on. When the cooler is fully charged, the charging indicator will shut off.



SPECIFICATIONS

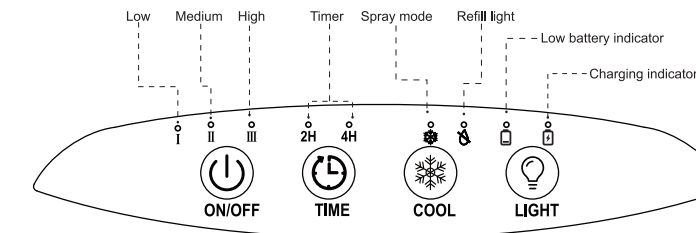
Voltage	5V
Power	≤10W
Net weight	2.16lb
Battery capacity	4000mAh
Wind speed	I (Low), II (Medium), III (High)
Timer	2H/4H
Capacity of the water tank	15.2oz/450ml
Size	6.77 x 5.85 x 8.84 inch
Display method	Display Screen

IDENTIFYING PARTS



- ① Control panel
- ② Water tank
- ③ Front grill
- ④ Cover
- ⑤ Handle
- ⑥ DC power port

OPERATION



Press this button for 3s to turn on/off the cooler. When the cooler is on, press to switch speeds from Low, Medium, to High.



Press this button to set an auto-off timer up to 4 hours. Continuing to press will allow you to cycle through different timer options: 2 or 4 hours.



Press the button to turn on/off the spray function.



When the cooler is on, press the button to turn on the ambient light, which will cycle through different colors. Press the button again to turn off the ambient light.

TROUBLESHOOTING

Problem	Possible remedy
The spray is not cool when the cooler is on.	If the refill light is on, it means the cooler has run out of water. You can add filtered water or tap water into the water tank and restart the cooler.
The cooler suddenly stops working.	Check the battery status. If the low battery indicator is on, please fully recharge the cooler.

IMPORTANT SAFETY INSTRUCTIONS

1. The evaporative cooler should be placed on a flat surface before each use. DO NOT tumble it during the use.
2. Please add tap water or filtered water to the water tank. DO NOT add tap water with a high mineral content (also known as "hard water"), detergent, or other chemical solution.
3. Please fill the water tank when the cooler is turned off.
4. If the cooler is immersed into water and its parts malfunction, stop using the cooler. Place it in a dry, ventilated place to let it air dry before an attempt to restart the cooler.
5. Replace the water in the water tank daily. Clean the water tank regularly to reduce the growth of mold or odor.
6. You can add iced water into the water tank. DO NOT add silica gel ice from a cold pack into the water tank. If the water in the tank is frozen, do not start the cooler.

7. DO NOT block the front or back grill.

8. We do not advise the elderly, infants, or people with restricted mobility to use the cooler for an extended period in case of any discomfort.

9. The cooler should avoid direct sunlight and other heating sources.

10. Please use a compatible USB charger (DC 5V/2A) to charge the cooler.

11. Keep the cooler off and unplugged when it is not in use. The water tank should also be clean and dry for storage.

12. DO NOT disassemble the cooler to prevent any damages or hazards.

13. Keep the cooler out of reach of children and do not leave them alone with this product.

14. DO NOT insert fingers or any other objects into the front/back grill of the cooler.

15. DO NOT open the cover or touch the atomizer when the cooler is operating in case of injuries.

WARRANTY

- Dr. Prepare products are covered by a 12-month limited warranty from the original purchase date. If any problems occur, please contact our support team.
- We only provide after-sales services for products that are sold by Dr. Prepare or retailers and distributors authorized by Dr. Prepare. If you have purchased your unit from other channels, please contact your seller for more information about return and warranty.

CUSTOMER SUPPORT

- If you have any questions or concerns, please send us an email at support@drprepare.com