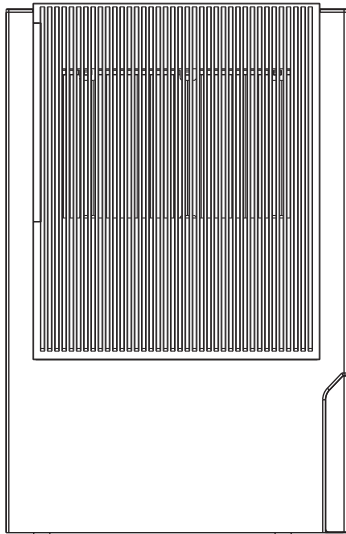




ROTARY DEHUMIDIFIER

DDH03L



This user manual offers a brief walkthrough of the unit's features.
Please keep the user manual in hand for future reference.

Still need help? Feel free to send us an email
at support@drprepare.com

➤ User Guide

CONTENTS

| | |
|------------------------------------|----|
| Important Safety Information | 02 |
| Product Overview | 04 |
| Control Panel | 04 |
| Package Includes | 05 |
| How To Use The Dehumidifier | 05 |
| Clean And Care | 06 |
| Specifications | 08 |
| Troubleshooting Tips | 08 |
| Limited Warranty | 09 |
| Customer Support | 09 |

IMPORTANT SAFETY INFORMATION

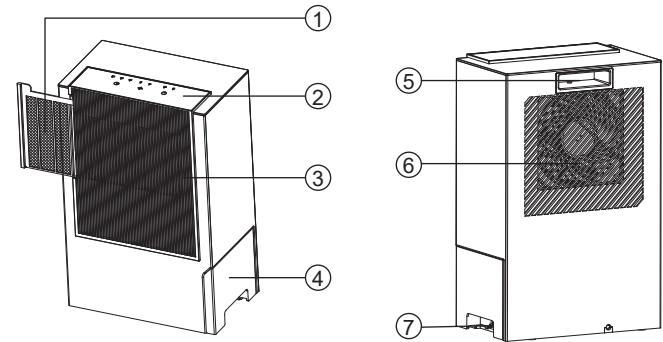
For your safety, the information in this manual must be followed to minimize the risk of fire, electric shock, or personal injury.

WARNING

- To avoid electric shock and the risk of fire, do not allow water, any liquid, or flammable detergent to get into or to clean the appliance.
 - Do not spray insecticide, perfume, or any flammable spray over the appliance.
1. If the supply cord is damaged, it must be replaced by the manufacturer, its service agent, or similarly qualified person in order to avoid a hazard.
 2. Do not use it when the plug, power cord, or appliance itself is damaged.
 3. Do not attempt to repair, disassemble, or modify the appliance yourself.
 4. Unplug the appliance before moving it. Do not move the appliance by pulling the power cord.
 5. Never unplug the appliance by pulling on the power cord. Always grip the plug firmly and pull straight out of the receptacle.
 6. Do not block the air inlet or outlet. Do not place objects on or in front of the air outlet.
 7. Do not insert foreign matter into the appliance through the air inlet or outlet.
 8. This appliance should not be used by persons (including children) with physical disabilities, mental disabilities, or lack of relevant experience and skills, unless they are given instructions by the person responsible for their safety.
 9. Do not allow children to play with the appliance or to clean and maintain the appliance unsupervised.

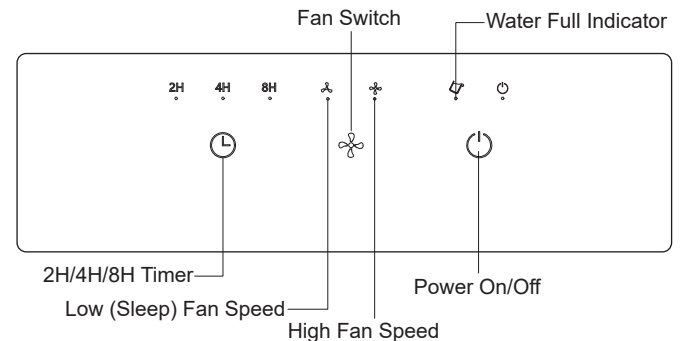
10. If the power socket connected to the appliance is not in good contact, the plug may become heated. Ensure that the power socket is in good contact.
11. This appliance is intended for indoor residential applications only. It generally reaches a stable state after working for 30 to 60 minutes.
12. Do not use it outdoors.
13. Do not place any items on top of the appliance.
14. Ensure the appliance is placed on a stable and horizontal surface.
15. Please leave at least 30cm of space on the back and sides of the product, and at least 50cm of space above the appliance when in use.
16. Do not put the appliance directly under the air conditioner to prevent condensation from dripping into it.
17. Do not impact the appliance with hard objects, especially the air outlet and inlet.
18. Do not cover the air inlet with clothes, curtains, or other items.
19. Do not insert your finger or other objects into the air outlet/inlet to prevent physical damage or harm.
20. Do not use this appliance when using indoor aerosol repellent or in places filled with oil, flammable gas, or chemical fumes.
21. The room temperature will rise slightly when the appliance is used in a confined space.

PRODUCT OVERVIEW



- | | |
|-----------------------|-------------------|
| ① Washable Filter | ⑤ Carrying Handle |
| ② Touch Control Panel | ⑥ Air Outlet |
| ③ Air Inlet | ⑦ Water Tank Plug |
| ④ Water Tank | |

CONTROL PANEL



PACKAGE INCLUDES

- 1 x Rotary Dehumidifier
- 1 x 1.8 m/5.9 ft Power Cord
- 1 x Drain Hose
- 1 x User Manual

HOW TO USE THE DEHUMIDIFIER

When plugging the power cord into a socket, all indicators on the control panel will flash for 1 second and then go off, which means it enters standby mode.

Power On/Off

1. In standby mode, tap once to turn on the dehumidifier, and the indicator lights blue.
2. Tap the button once again to turn it off.

Note: When the appliance is turned off, the cooling fan will keep working for 1 minute and 30 seconds, therefore, we highly recommend NOT pulling out the power cord during this period immediately for sufficient heat dissipation to extend the lifespan of the appliance.

2H/4H/8H Timer

Tap the timer button to set the 2H, 4H, or 8H timer settings in sequence. Then tap again to cancel it.

Fan Speed

1. Once powered on, the appliance runs at high fan speed by default.
2. Tap the button to switch the fan speed between the high fan and low fan (sleep) modes.

Water Full Indicator

1. When the water tank is full or the water tank is removed from its original position for more than 1 second, the water full indicator will go red and the machine will enter standby mode.
2. When the water tank is empty or installed back in its original position, the appliance will restart working.

Tilt Protection

1. If the appliance tilts or falls during operation:
 - A. all control buttons will be disabled;
 - B. "buzz" reminder sound for 1 minute;
 - C. the fan keeps running for 1 minute and 30 seconds;
 - D. the power button light keeps flashing.
2. The appliance will enter standby mode after being placed in the normal upright position.

Auto Shut Down System

The appliance shuts down automatically after 24 hours of continuous operation.

Use the Drain Hose

1. There is a drain hose included.
2. When you want to use the drain hose, you can pull out the water tank plug, plug in the hose, and then lead the hose to a washing sink with a height lower than that of the water tank's outlet.

CLEAN AND CARE

Important Notes Before Cleaning

1. Turn off the appliance and remove the plug from the wall outlet before cleaning.

2. Do NOT immerse the appliance in water or any liquid.
3. Do NOT use abrasive, corrosive, or flammable cleansers (such as bleach or alcohol) to clean any part of the appliance.

How to Clean

1. Turn off and unplug the appliance.
2. Wipe the outer enclosure with neutral detergent and a soft cotton cloth.

Note: When wiping the air outlet, please ensure that no water drops into the appliance.

3. Remove the water tank, open the cover, then wash the tank and its cover with clean water.
4. Take out the filter, clean it with a vacuum cleaner or water, and then dry it in a ventilated place.

Note: Do not expose the filter at a high-temperature location or under direct sunlight.

5. Recommended cleaning frequency of the filter: Once a month.

Storage and Maintenance

If the appliance is to be stored for an extended period of time, take the following actions before putting it away:

1. Turn off and unplug the appliance. Arrange the power cord after the fan cools down.
2. Empty the water tank and clean it.
3. Remove the drain hose, and put the nozzle back into its original location.
4. Clean the air inlet/outlet, and wipe the appliance with a neutral detergent and a soft cloth.
5. Once the appliance is completely dried, put it in a dust cover/bag and place it in a well-ventilated place out of direct sunlight.

SPECIFICATIONS

| | |
|-----------------------|---|
| Model | X2 |
| Power | 180W (Sleep Mode), 340W (High Speed) |
| Rated Voltage | 120V~60Hz |
| Moisture Removal/Day | Up to 0.8 Gal/3 L (80% Relative Humidity) |
| Water Tank Capacity | 0.66 Gal/2.5 L |
| Timer Settings | 2 / 4 / 8 Hours |
| Operation Sound Level | 30 dB (Sleep Mode), 42 dB (High Speed) |
| Drain Hose | Yes |
| Product Dimensions | 260 x 160 x 390 mm/10 x 6.2 x 15.6 in (L x W x H) |
| Product Weight | 3.7 kg/8.2 pounds |

TROUBLESHOOTING TIPS

| Problems | What to Do |
|----------------------------------|---|
| Fail to work | <ol style="list-style-type: none"> 1. Confirm the power cord is plugged firmly into the socket. 2. Check whether the power supply at home is normal. |
| Stop working unexpectedly | <ol style="list-style-type: none"> 1. This dehumidifier will shut off automatically after working continuously for 24 hours. 2. Confirm the power cord is plugged firmly into the socket. 3. Check whether the power supply at home is normal. 4. Check whether there are objects in the air outlet or inlet. If the air outlet/inlet is blocked by objects, the internal operating temperature will increase to trigger high-temperature protection, and then the appliance will stop working. |
| Power indicator flashes in White | <ol style="list-style-type: none"> 1. NTC abnormal protection, Please unplug and leave it for 20 minutes before turning it on 2. Contact our customer service team. |

LIMITED WARRANTY

- This appliance is covered by a limited 12-month manufacturer warranty.
- From the date of the original purchase, if the appliance fails due to a defect in materials or workmanship, during the limited 12-month warranty, the manufacturer, Dr.Prepare, will repair or replace any parts of this appliance as long as the appliance was proven to be used under normal operating conditions intended by the manufacturer.
- We only provide after-sales service for products sold by Dr.Prepare or retailers and distributors authorized by Dr.Prepare. If you have purchased your unit through other channels, please contact your seller for more information about the return and warranty.

CUSTOMER SUPPORT

Need help? Feel free to send us an email at support@drprepare.com
Want to see more products? Visit our official store: drprepare.com

