



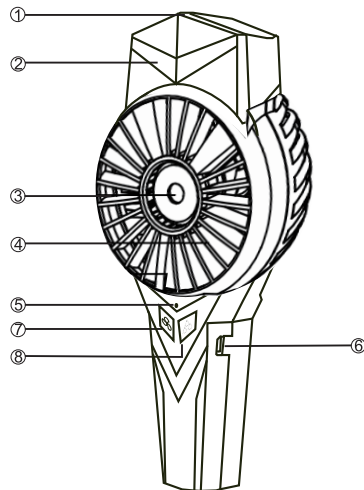
Dr. Prepare

# MISTING HANDHELD FAN

Model: D-MF02

➤ **Manual**

## IDENTIFYING PARTS



- |                |                   |
|----------------|-------------------|
| ① Water Inlet  | ⑤ Indicator light |
| ② Water Tank   | ⑥ Charging Port   |
| ③ Spray Nozzle | ⑦ Power Button    |
| ④ Fan Blades   | ⑧ Spray Switch    |

## SPECIFICATION

Product Name	Mini Misting Fan
Mode	D-MF02
Size	7.80*3.31*1.61 (inch)
Input	5V/1A
Power	1.0W~4.0W
Fan rotation speed	3000~5000±10%RPM
Working hours	about 3.5-8 Hours
Battery types	Li-ion 18650 (3.7V)
Weight	6.35Oz

## OPERATION MANUAL

1. Press the power button and the blue indicator lights up. The fan now is at low speed. Press the power button repeatedly to change speed options.
2. Press the spray switch and the fan continuously mists (the blue indicator lights up). Another press on the switch, the fan will deliver sprays regularly.

3. Please plug the fan into a 5V / 1A USB output to get fully charged (the USB cable is included).
4. Please charge the battery when the red indicator blinks. When the green indicator stays lit, the battery is fully charged.
5. Use the included water bottle to fill the water tank via the water inlet. Do not fill water under a running tap to prevent damages to circuits.

## NOTES

1. Please check whether the product is in good conditions prior to the first use. For any problems about the product, please feel free to contact us.
2. Do not squish or press the product to ensure performance and extend the service life.
3. Do not disassemble the product to prevent damages to products or accidents.

## CUSTOMER SUPPORT

If you have any questions or concerns, please send us an email at [support@drprepare.com](mailto:support@drprepare.com)